

DESCRIPTION

The MC2 is **Trace-Lite's** 10" LED canopy, designed to set a new standard for all canopy applications with its minimal power consumption, low profile and low glare design. The specially engineered lens optimizes visual comfort without sacrificing lighting efficacy and does not yellow over time. Ideal for surface or pendant mount installations in pharmacy drive-thrus, schools, parking garages, truck stop and other canopy applications. Delivering up to 5018 lumens while consuming only 40 Watts, the MC2 optimizes utility rebates without sacrificing high performance canopy lighting.

CONSTRUCTION

- 10" Square canopy with precision die-formed aluminum housing and non-metallic mounting plate
- White polyester powder coat paint finish

OPTICS/LEDS

- 40 Watts offering up to 5018 lumens at 5000K
- Outstanding efficacy up to 125 LPW at 5000K to maximize energy savings and utility rebates
- 4000K and 5000K CCT
- Low glare UV-stabilized PMMA lens providing Type V, symmetric round distribution and does not yellow over time
- L70 of 50,000 hours at 40°C
- CRI ≥ 72

ELECTRICAL

- Single Class 2 power supply, 120-277VAC, 50/60Hz
- 0-10V Dimming driver
- Power supply rated Class A EMI rating
- Power supply with high power factor of 90% typical

INSTALLATION

- Fixture housing is attached to base plate by four white fasteners
- Base plate easily attaches to a recessed 3" or 4" J-box
- Pendant mounted using a standard 1/2" downrod and hardware (supplied by others)

ACCESSORIES

- 12.5" Square transition plate (MC-TR) for retrofitting 12" square canopies
- 16" Square transition plate (MC-TR16) for larger retrofit areas
- 1-10V Digital high/low infrared sensor, Wattstopper FSP221 with 360° lens, maximum coverage 48' diameter from 40' height (TL-SCES-L2)

TESTING & COMPLIANCE

- ETL Listed to UL1598 for Wet Locations
- DesignLights Consortium® (DLC) PREMIUM Qualified
- Operating temperatures: -40°C to 40°C (-40°F to 104°F)

WARRANTY

- Five year warranty (terms and conditions apply)

Model: _____ Date: _____
 Accessories: _____
 Job Name: _____ Type: _____



Specs At A Glance*		
Wattage (W)	40W	
CCT	4000K	5000K
Lumens (lm)	4845	5018
Efficacy (LPW)	121	125
Equivalency	150W HID	
CRI	≥72	
Optics	Type V (Low Glare)	
Input Voltage	120 - 277VAC, 50/60Hz	
Certifications	ETL Listed for Wet Locations, DLC PREMIUM	
Warranty	5Years	
Operating Temp	-40°C to 40°C (-40°F to 104°F)	
Weight	4.5 lbs	

* Nominal Wattage

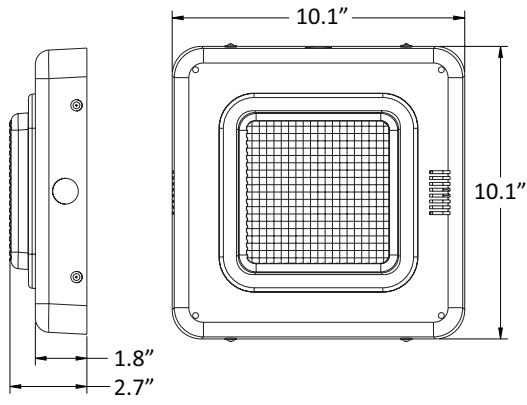
ORDERING INFORMATION

Example: MC2-104-VS-4K-WH

Series	Configuration	Input Voltage	CCT	Finish	Accessories ¹ (Field Installed)
MC2	104 = 10", 40W	VS = 120-277VAC	4K = 4000K 5K = 5000K	WH = White	MC-TR = 12.5" Transition Plate, White Finish MC-TR16 = 16" Transition Plate, White Finish
Notes	TL-SCES-L2 = Wattstopper FSP221 Sensor, L2 Lens				

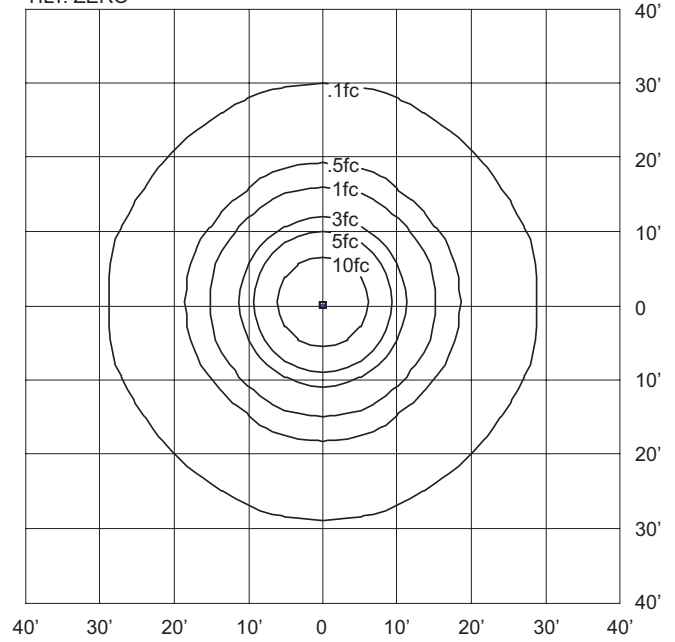
¹Order as a separate line item. Shipped in separate box for final installation in the field

DIMENSIONS

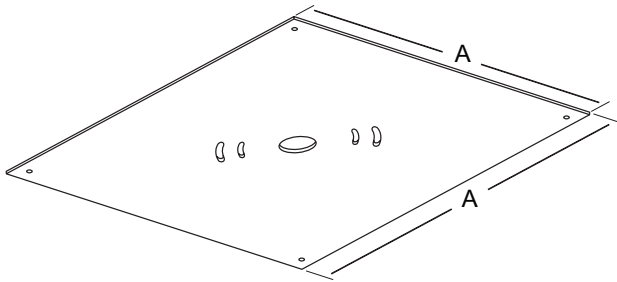


SAMPLE PHOTOMETRICS

MC2-104-VS-5K
 IES: TYPE V Round
 MOUNTING HEIGHT: 10'
 TILT: ZERO



TRANSITION PLATE DETAILS

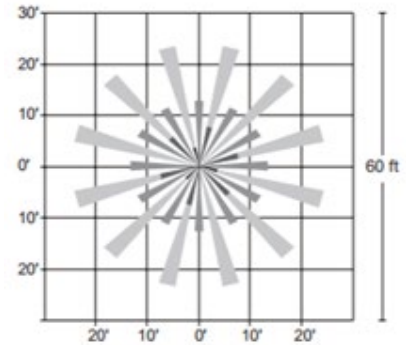
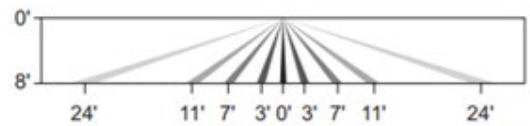


Accessory	A
MC-TR	12.5"
MC-TR16	16"

TL-SCES-L2 SENSOR DETAILS



Side and Top Sensor Coverage Pattern:
 With FSP-L2 lens (included) 360° lens



Specifications are subject to change without notice.
 Installation must be performed in accordance with
 Barron Lighting Group installation instructions.