

DESCRIPTION

Trace*Lite's LED canopy family is expanding with the new 10" MC canopy. The MC is designed to set a new standard for all canopy applications with its lowest possible power consumption, low profile and low glare design. The specially engineered polymethyl methacrylate (PMMA) UV stabilized lens optimizes visual comfort without sacrificing lighting efficacy. This unique configuration eliminates eye strain or distraction. Attention to tasks at hand at libraries, pharmacy drive through, schools and parking garages and truck stop sites for example, are enhanced by optimizing the quality of light within the environment. The durable and robust design allows for universal surface or pendant mount. Delivering 4,845 lumens while only consuming 42 watts, it is the ideal high performance, low power canopy light. The MC canopy is featured on the DLC® PREMIUM qualified product list.

SPECIFICATIONS

Construction:

- 10" square canopy with precision die-formed aluminum housing
- Integral thermal management with 1/8" thickness vented housing for optimal heat transfer
- Exterior finish coated with primer and white polyester powder coat paint

Optics/ LEDs:

- 42w unit offering 4,845 lumens
- Outstanding efficacy of 115 lm/w
- Standard with 4000K CCT
- Low glare optics providing type V, symmetric, round distribution
- UV stabilized PMMA lens
- Lumen maintenance L70 at 190,000 hours

Electrical:

- Single class 2 power supply, voltage sensing 120 to 277VAC
- 0-10V dimming driver
- Power supply rated Class A EMI rating
- Power supply with high power factor of 90% typical

Installation:

- Base plate easily attaches to a 3" or 4" J-Box
- Fixture housing is attached to base plate by four (4) captive fasteners
- Surface mounted to recessed J-Box
- Pendant mounted using a standard 1/2" downrod and hardware (supplied by others)

Accessories:

- 12.5" square transition plate (MC-TR), for retrofitting 12" square canopies
- 16" square transition plate (MC-TR16), for larger retrofit areas

Testing & Compliance:

- ETL listing for wet locations
- DesignLights Consortium® (DLC) PREMIUM qualified
- Operating Temperatures: -40°C to 40°C (-40°F to 104°F)

Warranty:

5 Year Warranty (Terms and Conditions Apply)

Model: _____ Date: _____
 Accessories: _____
 Job Name: _____ Type: _____



Specs At A Glance	
Wattage (w)	42W
Lumens (lm)	4,845
Efficacy (LPW)	115
CCT	4000K
CRI	76
Optics	Low Glare, Type V
Input Voltage	120 - 277VAC Voltage Sensing
Ambient Temp	-40°C to 40°C (-40°F to 104°F)
Certifications	ETL Listed for Wet Locations, DLC PREMIUM
Warranty	5 Years

Ordering Information

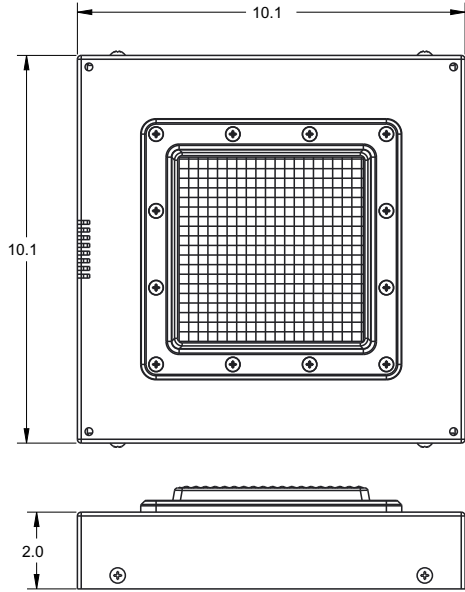
Example: MC-10-VS-4K-LG-WW

Series	Number of LEDs	Input Voltage	CCT	Optics	Finish
MC	10 = 10 LEDs, 42w	VS = 120~277VAC Voltage Sensing	4K = 4000K	LG = Low Glare	WW = White

Notes	Accessories ¹ (Field Installed)
	MC-TR = 12.5" Transition Plate
	MC-TR16 = 16" Transition Plate

¹ Order as separate line item. Shipped in separate box for final installation in field.

Dimensions



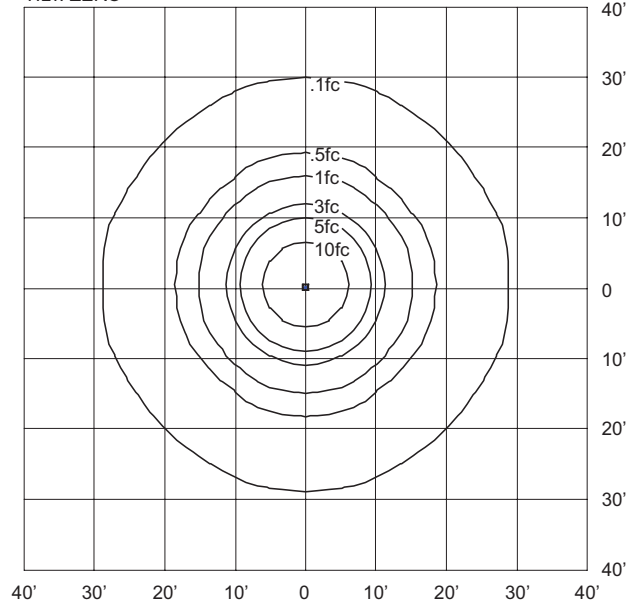
Sample Photometry

MC-10-VS-4K-LG

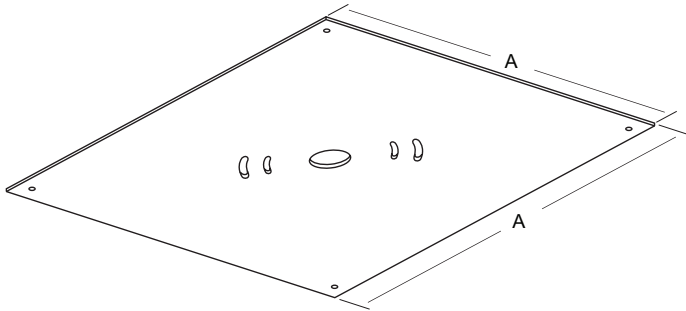
IES: TYPE V LOW GLARE

MOUNTING HEIGHT: **10 FEET**

TILT: ZERO



Transition Plate Details



Accessory

A

MC-TR	12.5"
MC-TR16	16"