

DESCRIPTION

The LHB Series applications include commercial, gymnasium, industrial, large meeting spaces, manufacturing, retail, warehousing, and other applications that utilize a traditional HID or linear fluorescent high bay with mounting heights up to 50'.

Trace*Lite's LHB Series delivers high efficacy, high-output LED lighting with up to 70% energy savings over traditional HID or fluorescent technology. The multiple lumen packages and optical distributions provide the necessary flexibility to meet a wide variety of lighting applications. This product is offered in a 2' by 2' size for the 105w model, and a 2' by 4' size for the 200w and 320w models. The LHB3 version delivers over 43,845 lumens (unlensed). The LHB series high bay is suitable for ambient temperatures up to 55°C. The LHB series is also available with 347/480VAC, battery backup and occupancy control options.

SPECIFICATIONS

Construction:

- Die-formed steel housing with a white finish
- 2' x 2' configuration for the 105w, 2' x 4' configuration for 200w and 320w configurations
- Isolated, vented driver compartment optimizes thermal dissipation

Optics/ LEDs:

- Wide Aisle distribution optical lensing standard to meet both horizontal and vertical light levels
- Available non-lensed (NL) for increased output (general distribution)
- Diffused Lens (LHBX-DL) accessory provides uniform light distribution with no pixelation and less than 15% light loss
- 105w and 200w models feature two light bars, 320w models feature four light bars
- Outer light bars swivel 10°-15° to widen distribution or help direct light where it is needed (200w and 320w only)
- Standard 4000K and 5000K CCT (LEDs available in 3000K, made to order)
- CRI ≥ 80
- L70 rated at 79,000 hrs at 55°C

Electrical:

- Class 2 power supply, voltage sensing 120-277VAC, 0-10V dimming
- One driver in the LHB1, two drivers in the LHB2 and 4 drivers in the LHB3
- 347VAC and 480VAC available

Installation:

- V hook and hanging chain included for pendant mount
- Ability to stem/conduit mount (with optional STMLHB accessory)

Options:

- Battery Backup (BB) option offers 2500lm of emergency powered illumination
- 6' line cord (LC6)
- On/off occupancy sensor wired at factory (OSS)
- Integral 0-10V digital high/low infrared sensor wired at factory, Wattstopper FSP-211 with 360° lens (SC)
- Side mounted 0-10V digital high/low infrared sensor wired at factory, Wattstopper FS-221 with 360° lens (SCE)

Accessories:

- 10' Cable mount with integral y-toggles (CTY10)
- Wattstopper digital high/low infrared sensor controller (TL-FSIR-100)
- On/off occupancy sensor (TL-OCCSNS-120/277)
- Side mounted 0-10V digital high/low infrared sensor, Wattstopper FSP-221 with 360° lens (TL-SCE)
- Stem/conduit mount box (STMLHB)
- Snap-on wireguard kit (LHB1-WG, LHB2-WG, LHB3-WG)
- Snap-in opaque diffused lens kit (LHB1-DL, LHB2-DL, LHB3-DL)

Testing & Compliance:

- UL/cUL for damp locations
- DesignLights Consortium® (DLC) qualified
- IESNA LM-79 and LM-80
- TM21
- Operating temperature: -40°C to 55°C (-40°F to 131°F)

Warranty:

- 5 year warranty (terms and conditions apply)

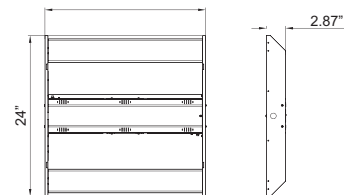
Model: _____ Date: _____
 Accessories: _____
 Job Name: _____ Type: _____



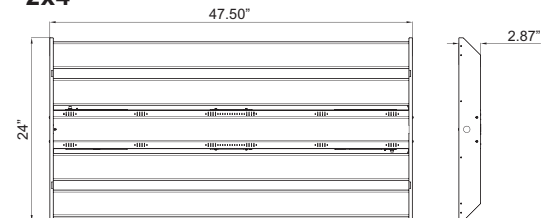
Specs At A Glance			
Wattage (nominal)	105 Watt	200 Watt	320 Watt
Lumens (lm)	12,704 - 13,443	22,661 - 24,864	38,903 - 43,845
Efficacy (lm/w)	121 to 130	114 to 123	121 to 132
Dimensions	2' x 2'	2' x 4'	2' x 4'
Distribution	Wide Aisle (A = lensed), General (NL = unlensed)		
CCT (K)	4000K, 5000K standard (3000K upon request, made to order)		
CRI	≥80		
Input Voltage	120 - 277VAC (347/480VAC available)		
Ambient Temp	-40°C to 55°C (-40°F to 131°F)		
Certifications	UL/ cUL listed for damp locations, DLC		
Warranty	5 Years		

Dimensions:

2x2'



2x4'



Weight (unboxed):

105w	11.5 lbs.
200w	18 lbs.
320w	27 lbs.

Performance Data

Item	Wattage (w)	CCT	Distribution (Optics)	Lumen Output (lm)	Efficacy (lm/w)	HID Equivalency
LHB1-A-VS-5K	105w	5000K	Wide Aisle (A)	12,900 lm	122 lm/w	4-lamp T8 4-lamp T5HO Up to 250w HID
LHB1-NL-VS-5K	105w	5000K	General (NL)	13,443 lm	130 lm/w	
LHB1-A-VS-4K	105w	4000K	Wide Aisle (A)	12,704 lm	121 lm/w	
LHB1-NL-VS-4K	105w	4000K	General (NL)	13,028 lm	123 lm/w	
LHB2-A-VS-5K	200w	5000K	Wide Aisle (A)	23,061 lm	115 lm/w	6-lamp T5HO 8-lamp T8 400w HID
LHB2-NL-VS-5K	200w	5000K	General (NL)	24,864 lm	123 lm/w	
LHB2-A-VS-4K	200w	4000K	Wide Aisle (A)	22,661 lm	114 lm/w	
LHB2-NL-VS-4K	200w	4000K	General (NL)	24,414 lm	121 lm/w	
LHB3-A-VS-5K	320w	5000K	Wide Aisle (A)	40,283 lm	125 lm/w	10-lamp T5HO 750-1000w HID
LHB3-NL-VS-5K	320w	5000K	General (NL)	43,845 lm	129 lm/w	
LHB3-A-VS-4K	320w	4000K	Wide Aisle (A)	38,903 lm	121 lm/w	
LHB3-NL-VS-4K	320w	4000K	General (NL)	42,451 lm	132 lm/w	

Ordering Information

Example: LHB2-A-VS-5K

Series	Distributions	Input Voltage	CCT	Options (Factory Installed)
LHB1 = 2' x 2', 105w	A = Wide Aisle Lens	VS = 120-277VAC	3K ^{1,2} = 3000K	BB ^{1,3} = Battery Backup
LHB2 = 2' x 4', 200w	NL = General, No Lens	HVS ⁴ = 347-480VAC	4K = 4000K (Std.)	LC6 ¹ = 6' Line Cord
LHB3 = 2' x 4', 320w			5K = 5000K (Std.)	OSS ¹ = On/Off Occupancy Sensor
				SC ¹ = Integral 0-10V Digital High/Low Infrared Sensor, Wattstopper FSP-211, L7 Lens
				SCE ¹ = Side Mounted 0-10V Digital High/Low Infrared Sensor, Wattstopper FSP-221, L7 Lens

Accessories⁵ (Field Installed)

TL-OCCSNS-120/277 = On/Off Occupancy Sensor
TL-SCE = Side Mounted 0-10V Digital High/Low Infrared Sensor, Wattstopper FSP-221, L7 Lens
TL-FSIR-100 = Wattstopper Digital High/Low Infrared Sensor Controller
STMLHB = Stem/Conduit Mount
CTY10 = 10' Cable Mount with Integral Y-Toggles

Notes

¹ Made to order, operating temperature may vary

² 3000K CCT not on DLC QPL

³ Operates at 120V or 277V only

⁴ Step-down transformer

⁵ Order as separate line item - shipped in separate box for final installation in field

LHB1-WG = Snap-on Wireguard Kit for LHB1

LHB2-WG = Snap-on Wireguard Kit for LHB2

LHB3-WG = Snap-on Wireguard Kit for LHB3

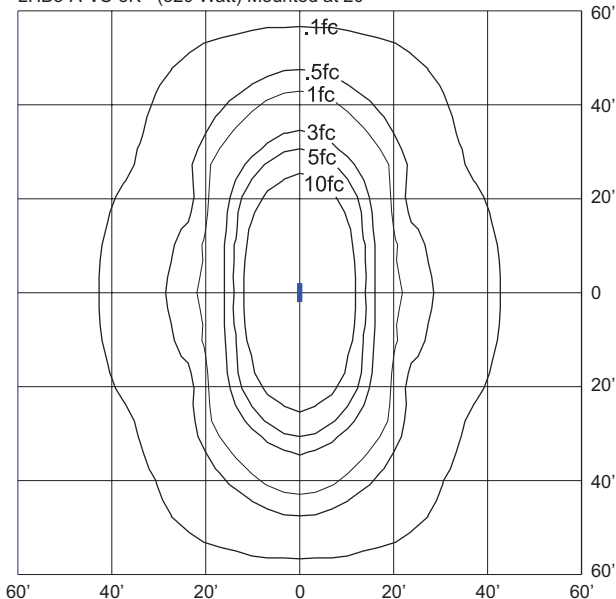
LHB1-DL = Snap-in Diffused Lens Kit for LHB1

LHB2-DL = Snap-in Diffused Lens Kit for LHB2

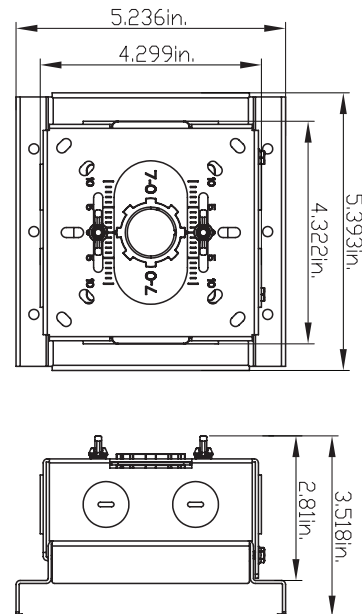
LHB3-DL = Snap-in Diffused Lens Kit for LHB3

Sample Photometry

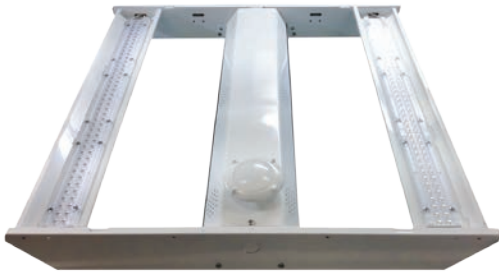
LHB3-A-VS-5K - (320 Watt) Mounted at 20'



Pendant Box Details

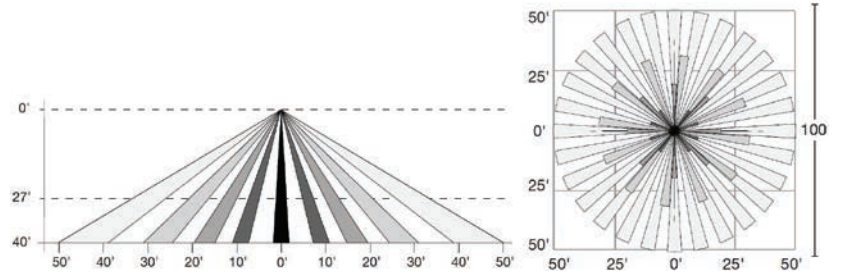


Sensor Details (Option: SC)



Side and Top Sensor Coverage Pattern:

With FSP-L7 lens (included) 360deg lens



Settings for SC and SCE option:

	Settings	Default
High Mode:	0-10V	10V
Low mode:	Off, 0-9.8V	1V
Time Delay:	30 Sec; 5-30 Min	5 Min
Cut off delay:	None, 1-60 Min, 1-5 Hrs	1 Hour
Sensitivity:	None, Low, Medium, Max	Max
Setpoint:	None, 1-250 fc, Auto	Disabled
Ramp up time:	None, 1-60 Sec	Disabled
Fade down time:	None, 1-60 Sec	Disabled

NOTE:

To change settings in the field, please order TL-FSIR-100 controller.



Battery Box (Option: BB)



Pendant Mount Box

