

DESCRIPTION

The premium-performance LA22 is a 2' x 2' LED center basket luminaire which achieves DLC Premium qualification due to its industry-leading lumens per watt (LPW). The LA22 is designed as a direct replacement for 2' x 2' fluorescent luminaires installed in grid ceilings. It is designed to deliver general ambient lighting in a variety of indoor settings, including schools, offices, hospitals and stores, and is the perfect choice for both new construction and retrofits. This high-efficacy luminaire provides long-life and uniform illumination, as well as standard 0-10VDC dimming capability, and can also provide path of egress emergency lighting (LEDEM).

SPECIFICATIONS

Construction:

- Steel housing in white finish
- LED engine is protected by a diffuse acrylic lens
- Housing fits in standard 2' x 2' grid ceilings
- Standard earthquake clips provide secure installation in grid ceiling

Optics/ LEDs:

- Available in 3000K (warm white), 4000K (neutral white) and 5000K (cool white) color temperatures
- Uniform illumination with no visible LED pixilation
- Color rendering index > 80
- Long-life LEDs provide 81,000 hours of operation with at least 70% of initial lumen output (L70)

Electrical:

- Universal 120-277VAC, 50/60Hz
- Power factor > 0.90
- Total harmonic distortion < 20%
- 0-10VDC dimming capability is standard

Installation:

- Easy installation in new construction or retrofit
- Ideal for mounting to any vertical surface and attaches to a 3" or 4" j-box
- Can be surface mounted using the 1/2" conduit entry point at top of housing
- Field installable battery packs available for emergency egress lighting
- Flange mounting kit for recessed drywall ceilings

Testing & Compliance:

- UL listed for damp location and insulated ceilings (IC-rated)
- DesignLights® Consortium (DLC) Premium qualified
- Complies with FCC Part 15, part B
- Complies with IEEE C.6241-1991, input transient protection (2.5kVA)
- Operating temperatures: -25°C to 50°C (-13°F to 122°F)

Warranty:

- 5 year warranty (terms and conditions apply)

Note: Environment and application will affect actual performance. Typical values and 25°C used for testing. Specifications subject to change without notice.

Ordering Information (Example: LA22-30-5K)

Series	Wattage	Color Temperature (CCT)	Accessories ¹ (Field Installed)
LA22	30 = 30w	3K = 3000 Kelvin	LEDEM-5W ² = 5 Watt battery pack for emergency egress
		4K = 4000 Kelvin	LEDEM-7W ² = 7 Watt battery pack for emergency egress
		5K = 5000 Kelvin	LEDEM-10W ² = 10 Watt battery pack for emergency egress
Notes			LEDEM-13W ² = 13 Watt battery pack for emergency egress
			LEDEM-17W ² = 17 Watt battery pack for emergency egress
			LP22-FMK = Flange mounting kit

¹ Order as separate line item

² See table on the back for battery pack emergency egress lumen output

Model: _____ Date: _____
 Accessories: _____
 Job Name: _____ Type: _____



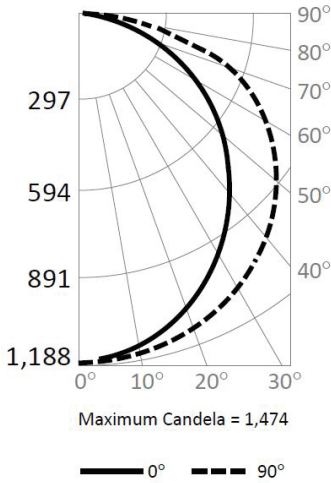
Specs at a Glance			
Wattage (w)	30 (nominal)		
CRI	>80		
CCT	3000K	4000K	5000K
Lumens (lm)	3,709	3,766	3,823
Efficacy (LPW)	124	126	128
Optics	Diffuse acrylic lens		
Input Voltage	120-277VAC, 50/60Hz		
Warranty	5 Years		
Certifications	UL Listed for Damp Location & IC-Rated, DLC Premium, FCC class B		
Operating Temp	-25°C to 50°C (-13°F to 122°F)		

Lumen Output Summary for LEDEM Battery Pack Accessories

Series	Lumens (lm)	Wattage (w)	LEDEM-5W Lumens (lm) Wattage (w)		LEDEM-7W Lumens (lm) Wattage (w)		LEDEM-10W Lumens (lm) Wattage (w)		LEDEM-13W Lumens (lm) Wattage (w)		LEDEM-17W Lumens (lm) Wattage (w)	
LA22-30-3K	3,709	30	539	5	755	7	1,079	10	1,402	13	1,834	17
LA22-30-4K	3,766		548		767		1,096		1,425		1,863	
LA22-30-5K	3,823		557		780		1,114		1,448		1,893	

Sample Photometry

(Example: LA22-30-5K)



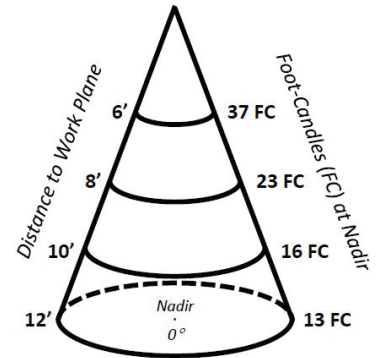
Candlepower Summary

	0°	90°
0°	1,180	1,180
10°	1,171	1,164
20°	1,132	1,099
30°	1,067	995
40°	976	854
50°	868	690
60°	736	508
70°	565	315
80°	193	133
90°	0	0

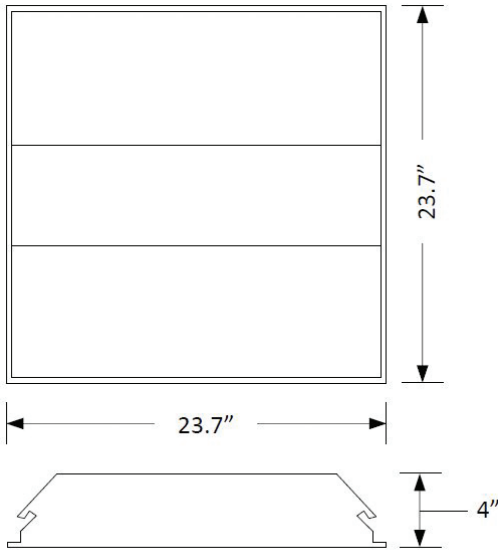
Zonal Lumen Summary

Zone	Lumens	% Fixture
0° – 10°	116	3.0%
0° – 20°	450	11.8%
0° – 30°	959	25.1%
0° – 40°	1,582	41.4%
0° – 50°	2,246	58.8%
0° – 60°	2,878	75.3%
0° – 70°	3,408	89.1%
0° – 80°	3,744	97.9%
0° – 90°	3,823	100.0%
90° – 180°	0	0%
0° – 180°	3,823	100.0%

Cone of Light

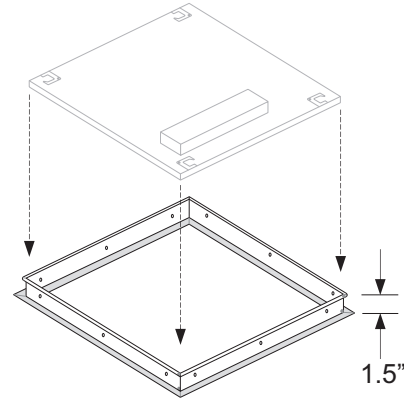


Dimensions



Weight: 8.4 lbs.

LP22-FMK = Flange mounting kit



Specifications are subject to change without notice. Installation must be performed in accordance with Barron Lighting Group installation instructions.

SPECIFICATIONS

Illumination:

- Provides constant power output to the load during emergency mode operation
- Can be operated as NORMALLY-ON, NORMALLY-OFF or SWITCHED LOAD

Electrical:

- Universal 120-277V, 50/60 Hz input
- Charge/Power "ON" LED indicator light and push-to-test switch for mandated code compliance testing
- Long-life, maintenance free, rechargeable NiCad battery
- Output short/overcurrent protection: Electronic limiting, with normal operation resuming upon removal of fault
- 90 Minute minimum emergency operating time over full temperature range (other run times available upon request)
- Output classification: Class 2 Compliant
- Surge protection: Per C62.41 (TVS)
- Input overcurrent protection: Fusible link
- 24 Hour maximum battery recharge time

Housing:

- LED illuminated and remote mounted test switch
- Injection-molded, engineering grade, 5VA flame retardant, high-impact resistant, thermoplastic in a black finish

Mounting:

- Suitable for installation on top of the fixture
- Can be remote mounted (up to 50')

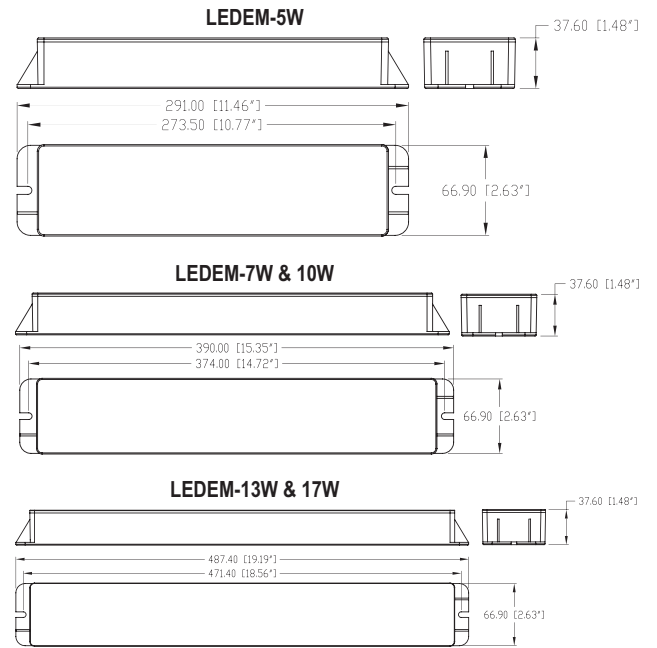
Testing & Compliance:

- Suitable for field installation
- Suitable for damp locations (0°C - 50°C)

Warranty:

- 5 Year Warranty (Terms and Conditions Apply)

Model: _____ Date: _____
 Accessories: _____
 Job Name: _____ Type: _____



Ordering Information

Series	Output Operating Range		Output Power Watts	UL Listed Part #'s
	Voltage (VDC)	Current (MADC)		
LEDEM-5W	20-50	250-100	5.0	BLEDEM-CP-800
LEDEM-7W	20-50	390-156	7.0	BLEDEM-CP-1200
LEDEM-10W	20-50	535-214	10.7	BLEDEM-CP-1800
LEDEM-13W	20-50	685-274	13.7	BLEDEM-CP-2000
LEDEM-17W	20-50	850-340	17.0	BLEDEM-CP-2400

Provides regulated power from 5.0 watts to 17.0 watts (up to 800 to 2400 lumens).

Electrical Information

Model	Input Current (A)	Input Power (W)
LEDEM-5W	0.061	3.9
LEDEM-7W	0.065	4.8
LEDEM-10W	0.087	5.7
LEDEM-13W	0.110	6.9
LEDEM-17W	0.110	7.9

LEDEM Series System Coordination Guidelines

These guidelines were developed to allow the lighting system Designer/Specifier to predict the operating performance levels of LED luminaires when powered by an electrically compatible LEDEM Series model. It is ultimately the responsibility of the Designer/Specifier to insure that the as installed system delivers code-compliant path of egress illumination.

Determine Electrical Compatibility

- A) Verify that the Luminaire LED Driver, where applicable, is Class 2 compliant.
- B) Verify that the Luminaire LED Lamp(s) have an operating voltage between 20Vdc and 50Vdc.
- C) Verify that the Luminaire LED Lamp(s) have a power rating equal to, or greater than, the emergency power rating of the LEDEM model under consideration.