

DESCRIPTION

The BVTPLED is a surface-mounted LED luminaire, designed to IP65 rating to prevent the intrusion of moisture and dust. The BVTPLED provides general ambient lighting in commercial and industrial settings, making it perfect choice for both new construction and retrofits. This high-efficacy DLC Premium qualified luminaire provides long-life, uniform illumination, and standard 0-10VDC dimming capability.

SPECIFICATIONS

Construction:

- Easy installation in new construction or retrofit
- ABS (acrylonitrile butadiene styrene) housing in grey finish
- Diffuse polycarbonate lens
- Stainless steel mounting bracket and lens clips are standard

Optics/ LEDs:

- Long-life LEDs provide 122,000 hours of operation with at least 70% of initial lumen output (L70)
- Available in 3500K (warm white), 4000K (neutral white) and 5000K (cool white) color temperatures
- Choose from 4,793 lumens (120 LPW) at 3500K; 5,200 lumens (130 LPW) at 4000K; and 5,240 lumens (131 LPW) at 5000K
- Uniform illumination with no visible LED pixelation
- CRI >80

Electrical:

- 0 -10VDC dimming capability is standard
- Universal 120-277VAC, 50/60Hz
- Power factor > 0.95
- Total harmonic distortion <10%

Installation:

- Easy installation in new construction or retrofit
- Stainless steel mounting brackets

Testing & Compliance:

- UL Listed for wet location
- IP65 rated for ingress protection
- (DLC) Design Light Consortium Premium qualified
- Operating temperatures: -20°C to 50°C (-4°F to 122°F)
- Complies with FCC Part 15, Class A
- Complies with IEEE C.62.41-1991, Class A input transient surge protection (2.5kVA)
- Complies with IEC 61000-4-2 level 2 (4kVA) electrostatic discharge (ESD)

Warranty:

- 5 year warranty (terms and conditions apply)

Note: Environment and application will affect actual performance. Typical

Model: _____ Date: _____
 Accessories: _____
 Job Name: _____ Type: _____

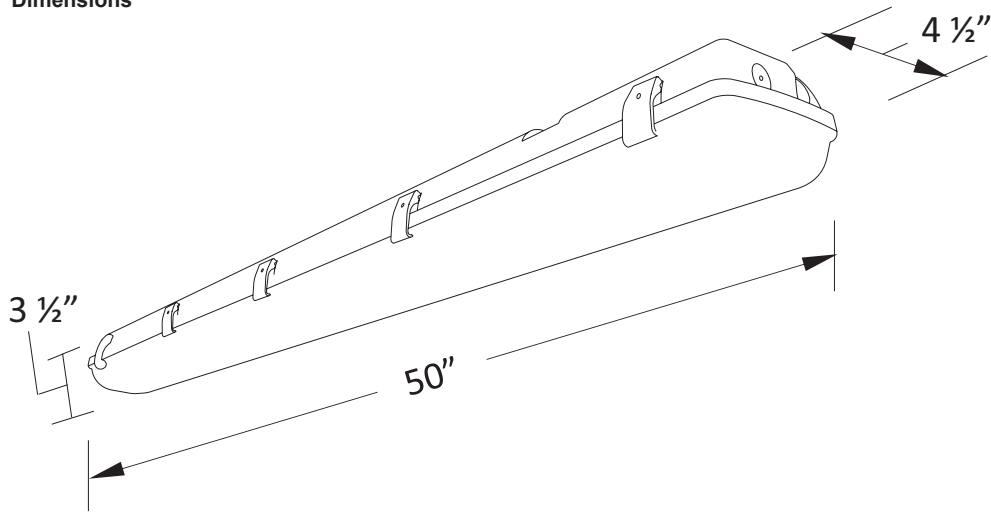


Specs at a Glance	
CCT	5000K (3500/4000K)
CRI	>80
Length	50"
Wattage (w)	40
Lumens (lm)	5,240
Efficacy (LPW)	131
Input Voltage	120-277VAC, 50/60Hz
Warranty	UL Listed 5 Years
Certifications	UL Listed for Wet Location, DLC Premium Approved, FCC Class A, IP65, 2.5kVA Surge Protected
Operating Temp	-20°C to 50°C (-4°F to 122°F)

Ordering Information

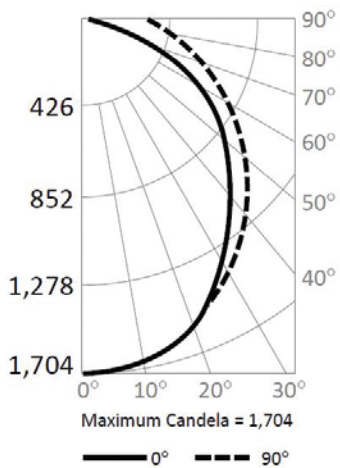
SKUs	Description
BVTPLED-40-35KMV-ET	Vaportight, 40W, 3500K LED
BVTPLED-40-4KMV-ET	Vaportight, 40W, 4000K LED
BVTPLED-40-5KMV-ET	Vaportight, 40W, 5000K LED

Dimensions



Sample Photometry

(Example: BVTPLED-40-5KMV (5,240 lumens))



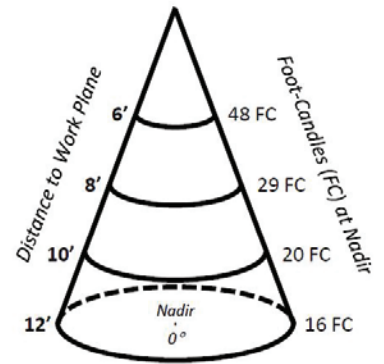
Candlepower Summary

	0°	90°
0°	1,704	1,704
10°	1,665	1,668
20°	1,550	1,547
30°	1,363	1,387
40°	1,125	1,215
50°	862	1,030
60°	599	845
70°	357	668
80°	144	465
90°	20	283

Zonal Lumen Summary

Zone	Lumens	% Fixture
0° - 10°	172	3.3%
0° - 20°	656	12.5%
0° - 30°	1,373	26.2%
0° - 40°	2,218	42.3%
0° - 50°	3,081	58.8%
0° - 60°	3,867	73.8%
0° - 70°	4,510	86.1%
0° - 80°	4,969	94.8%
0° - 90°	5,240	100%
90° - 180°	0	0%
0° - 180°	5,240	100.0%

Cone of Light



Specifications are subject to change without notice. Installation must be performed in accordance with Barron Lighting Group installation instructions.