

DESCRIPTION

8" Downlight trim with integrated LED light engine designed to fit most standard 8" recessed housings. Also works in new construction applications (no housing required).

SPECIFICATIONS

Construction:

- Durable construction with an aluminum heat sink and thermoplastic trim
- Flexible cable

Optics/ LEDs:

- Long-life LEDs with up to 50,000 hours at 70% lumen maintenance
- Choice of 3500K (±245), 4000K (±275) or 5000K (±283) color temperature with 80 CRI
- Produces up to 2000 lumens
- Uses high-power, high-quality LEDs

Electrical:

- LED driver dimmable down to 10% with most dimmers (Sylvania 45167, Leviton Decora IP710-LFZ, Lutron Diva DVSTV-WH, Cooper DF10P-C1)
- Saves 75% energy compared to incandescent sources
- Power factor ≥ 0.90 with input
- Built-in LED driver with an input voltage of 120-277VAC, 50/60Hz
- 27 Watt power consumption
- Operating temperature: -20°C to 40°C (-4°F to 104°F)

Installation:

- Compatible with most 8" housings
- Suitable for non-insulated and airtight ceilings
- Flex-cable wires easily into a J-box

Testing & Compliance:

- Tested in accordance with IESNA LM79 & LM80
- cETLus Listed for Wet Locations
- Passes FCC Class B
- Meets State of California Title 24 requirements

Warranty:

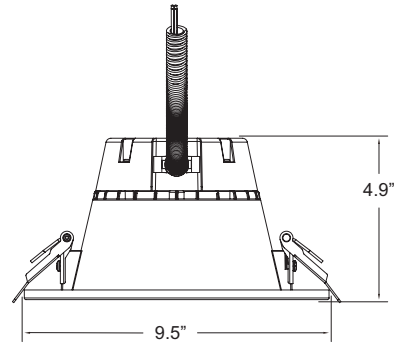
- Five year warranty (terms and conditions apply)

Note: Environment and application will affect actual performance. Typical values and 25°C used for testing. Specifications subject to change without notice.

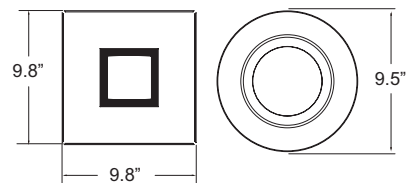
Model: _____ Date: _____
 Accessories: _____
 Job Name: _____ Type: _____



Dimensions



Baffle/Trim Accessory



Ordering Information

SKUs	Description	Accessories ¹ (Field Installed)
BRK-LED8A-BW-27W-35K-ECO	8" White Baffle Downlight, 3500K	LED8A-TRIMPLT-ECO-SQ = White Square Trim (snap-on)
BRK-LED8A-BW-27W-4K-ECO	8" White Baffle Downlight, 4000K	LED8A-TRIMPLT-ECO-SPWHT = Silver Reflector with White-Trim Ring (snap-on)
BRK-LED8A-BW-27W-5K-ECO	8" White Baffle Downlight, 5000K	

Notes

¹Order as a separate line item. Shipped in a separate box for final installation in the field.