

DESCRIPTION

The slim profile, architectural ALH highbay is ideally suited for retail, industrial, commercial, manufacturing, warehousing, gymnasium, large meeting spaces and other applications that utilize a traditional HID or linear fluorescent highbay with mounting heights up to 50'.

Trace*Lite's ALH utilizes high efficacy, high-output LEDs to provide over 55% energy savings compared to HID technology. Precisely engineered LED light engines deliver uniform lighting without pixilation for exceptional light quality for any task. This product is offered in a 4' length designed to deliver over 25,309 lumens with a diffused glass lens. The ALH highbay is suitable for ambient temperatures up to 50°C.

SPECIFICATIONS

Construction:

- 4 Extruded aluminum light bar heat sinks with hinged driver housing in a white finish
- 43" long x 14" wide
- Driver housing isolated from aluminum LED heatsinks to optimize heat dissipation
- Diffuse flat lens over each LED light bar

Optics/ LEDs:

- General distribution (120°)
- Diffused lens to eliminate pixilation
- 5000K CCT
- CRI ≥ 80
- L70 rated at > 50,000hrs at 50°C

Electrical:

- Class 1 power supply, voltage sensing 120-277VAC, 1-10V dimming

Installation:

- Adjustable cable mounts with integral y-toggles included (10')
- 6' line cord included

Accessories:

- Side mounted 0-10V digital high/bay infrared sensor , Wattstopper FSP221 with 360° lens, maximum coverage 100' diameter from 40' height (TL-SCE)
- Digital High/Low Infrared Sensor Controller, Wattstopper FSIR-100 (TL-FSIR-100)

Testing & Compliance:

- UL/cUL listed for dry locations
- DesignLights Consortium® (DLC) qualified
- LED modules comply with IESNA LM-79 and LM-80/IESNA LM-79 and LM-80
- Adheres to RoHS, TM21 industry standards
- Operating temperature: -40°C to 50°C (-40°F to 122°F)

Warranty:

- 5 year warranty (terms and conditions apply)

Model: _____ Date: _____
 Accessories: _____
 Job Name: _____ Type: _____



Specs At A Glance	
Wattage (nominal)	200w
Lumens (lm)	25,309
Efficacy (lm/w)	122
Equivalency	6-lamp T5HO, 8-lamp T8, 400w HID
Distribution	General 120° distribution - Diffused lens
CCT (K)	5000K
CRI	≥80
Input Voltage	120 - 277VAC
Ambient Temp	-40°C to 50°C (-40°F to 122°F)
Certifications	UL/ cUL listed, DLC
Warranty	5 Years

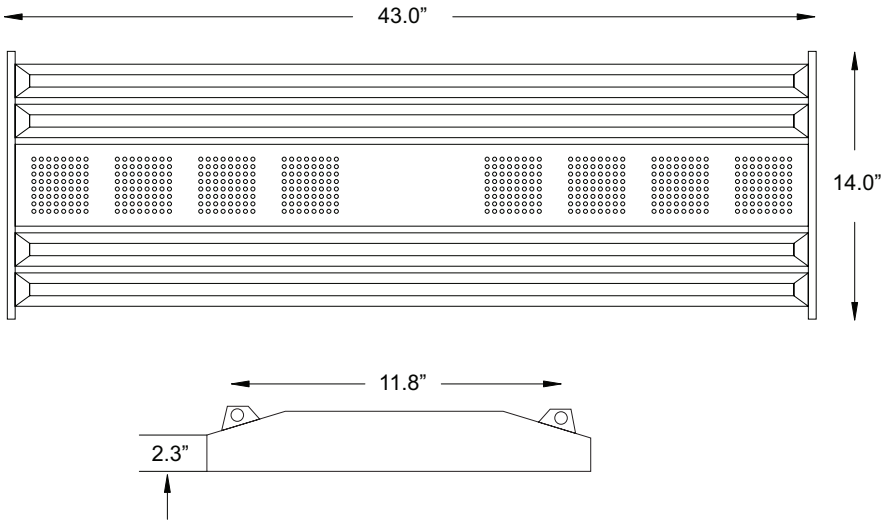
Ordering Information

Series	Description	Accessories ¹ (Field Installed)
ALH2-D-VS-5K	42" linear LED highbay, 4 LED strips, extruded aluminum heatsink, 200w, diffused lens, voltage sensing 120-277VAC, 5000K, white finish	TL-OCCSNS-120/277 = On/Off Occupancy Sensor TL-SCE = Side Mounted 0-10V Digital High/Low Infrared Sensor, Wattstopper FSP-221, L7 Lens TL-FSIR-100 = Wattstopper Digital High/Low Infrared Sensor Controller

Notes

¹ Order as separate line item. Shipped in separate box for final installation in field.

Dimensions

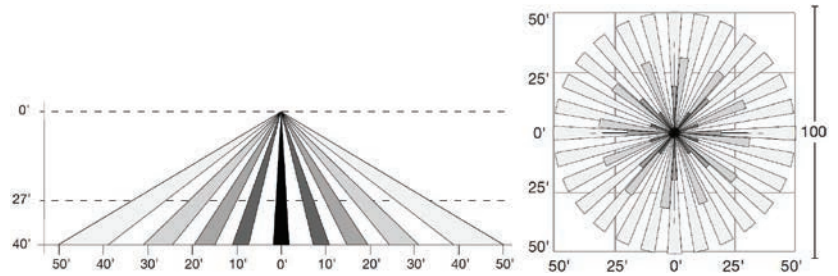


Sensor Details (TL-SCE accessory)



Side and Top Sensor Coverage Pattern:

With FSP-L7 lens (included) 360deg lens



Settings for TL-SCE sensor

	Settings	Default
High Mode:	0-10V	10V
Low mode:	Off, 0-9.8V	1V
Time Delay:	30 Sec; 5-30 Min	5 Min
Cut off delay:	None, 1-60 Min, 1-5 Hrs	1 Hour
Sensitivity:	None, Low, Medium, Max	Max
Setpoint:	None, 1-250 fc, Auto	Disabled
Ramp up time:	None, 1-60 Sec	Disabled
Fade down time:	None, 1-60 Sec	Disabled

NOTE:

To change settings in the field, please order TL-FSIR-100 controller.



Specifications are subject to change without notice. Installation must be performed in accordance with Barron Lighting Group installation instructions.